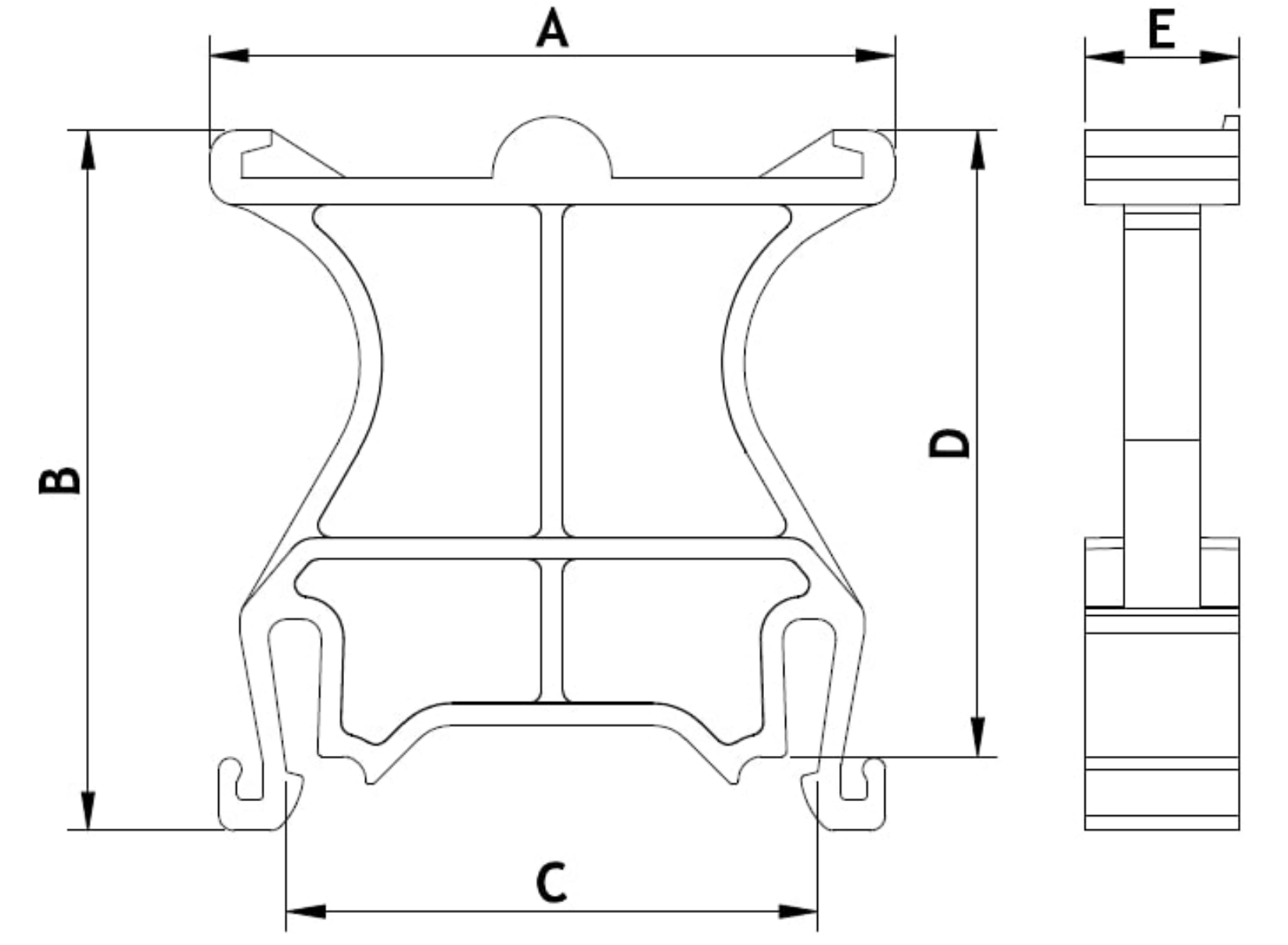




### GROUP LABEL

**Product code:**

Product code: 1060500



<https://onka.com.tr/group-label>

### Dimensions

Dimensions (mm)	
A	44.5
B	45.5
C	34.5
D	40.7
E	10

### Materials

Body	PA 6,6 V2
Temperature	-40°C,+140°C

### Color

Colour	Order No.	Pcs.
Grey	1060500	100
Cream	1060501	100
Black	1060502	100
Blue	1060503	100
Brown	1060504	100
Red	1060505	100
Yellow	1060506	100
Green	1060507	100

### Marking

ONKA-8920-736SE/SB