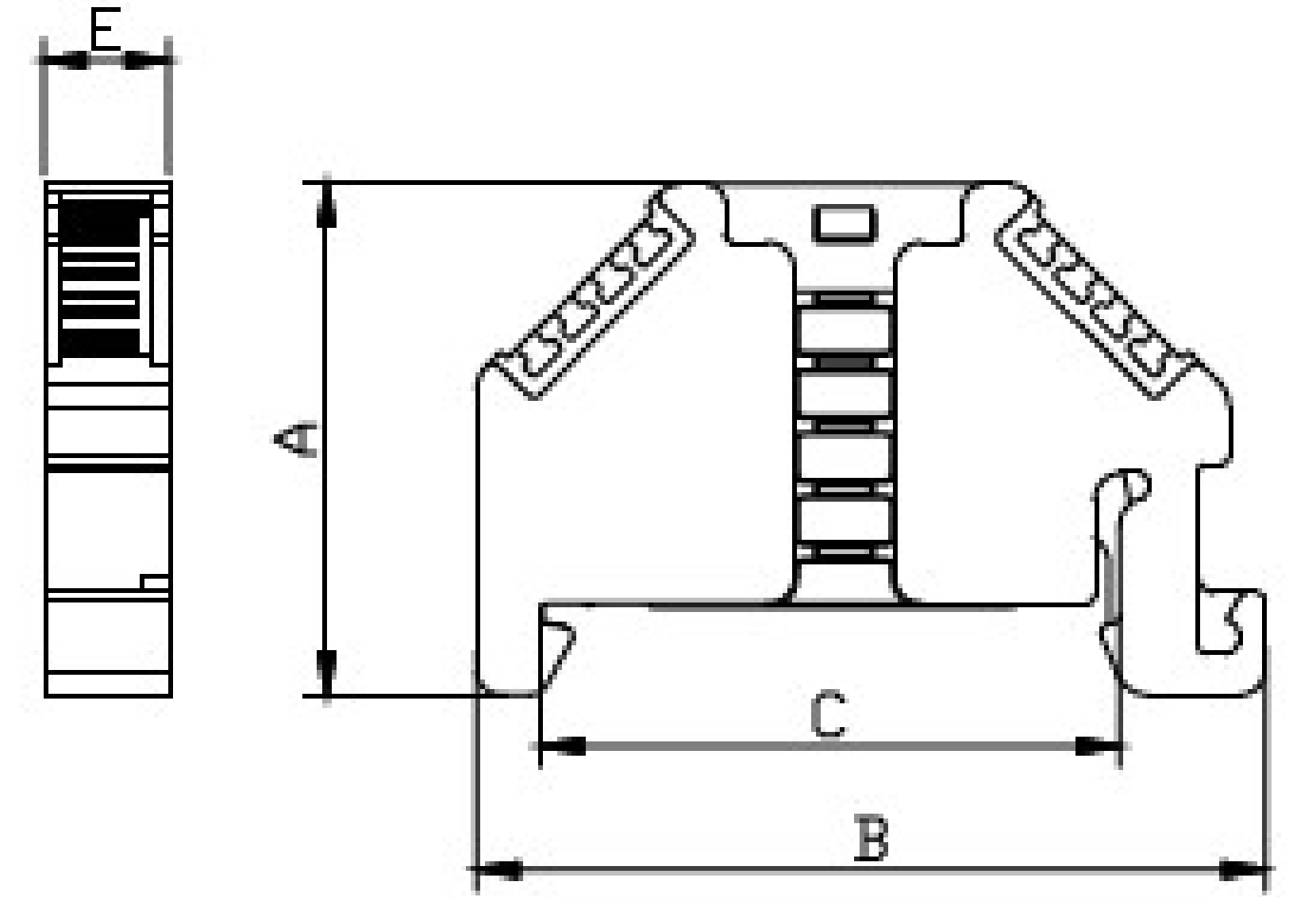


MRK AND OPK SERIES SCREWLESS END BRACKET

Product code:

Product code: 1202



<https://onka.com.tr/mrk-and-opk-series-screwless-end-bracket>

Dimensions

Dimensions (mm)	
A	30.7
B	47.4
C	34.5
E	7.5

Materials

Body	PA
Metal leg	Steel
Temperature	-40°C,+140°C
Pcs	100

Marking

Marking-9770/4440/4442/9540/5443/4390/2630