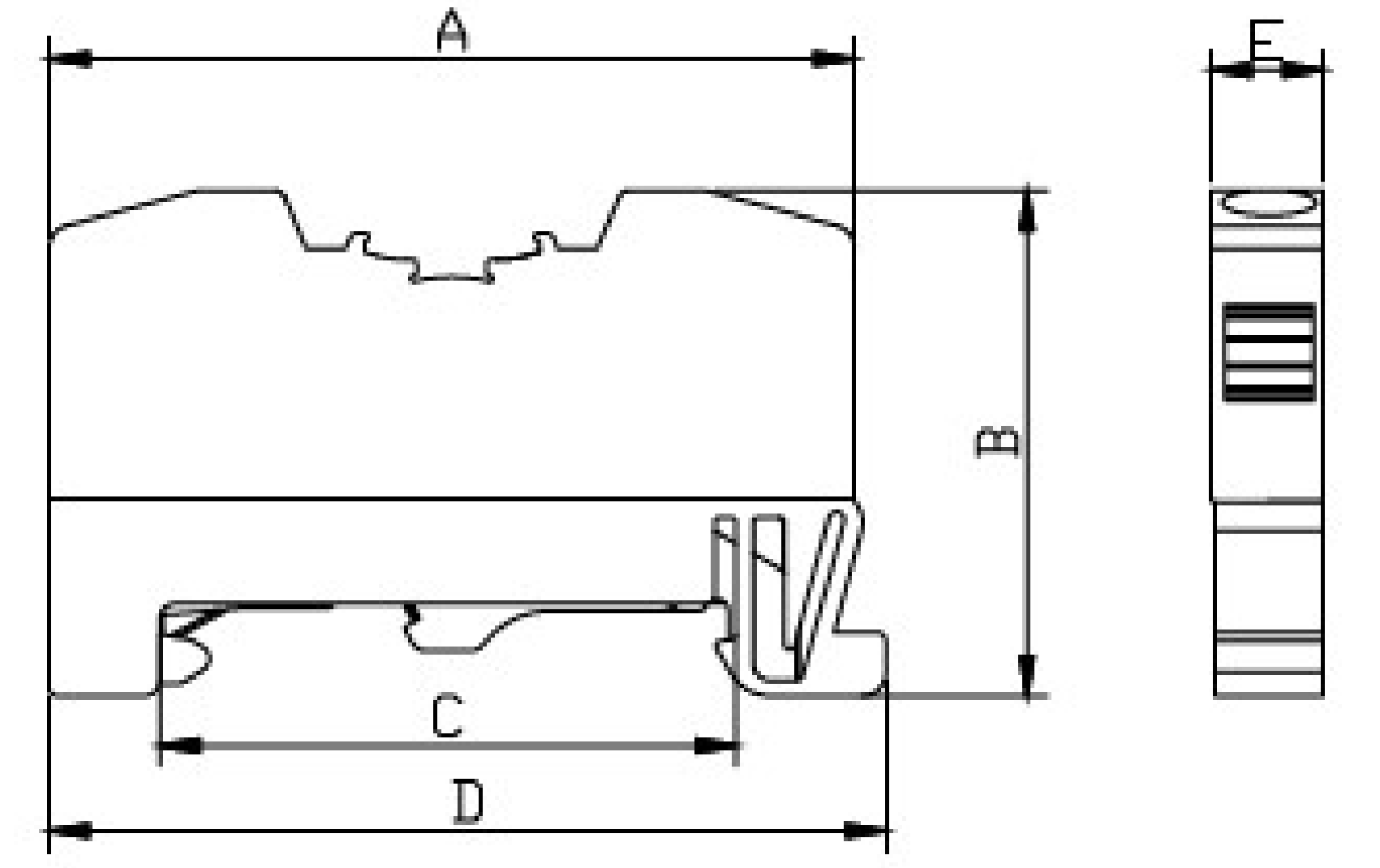


### OPK-T 4mm<sup>2</sup> PUSH-IN GROUND TERMINAL BLOCK

**Product code:**

Product code: 1199



<https://onka.com.tr/opk-t-4mm2-push-in-ground-terminal-block>

### Dimensions

| Dimensions (mm) |      |
|-----------------|------|
| A               | 51   |
| B               | 31.8 |
| C               | 34.5 |
| D               | 52.6 |
| E               | 7.1  |

### Materials

|                                       |                    |
|---------------------------------------|--------------------|
| Body                                  | PA6.6              |
| Bridge                                | Copper             |
| Spring                                | Stainless Steel    |
| The Leg which contact to the Din Rail | Brass              |
| Temperature                           | -40°C,+140°C       |
| Cable Strip L.                        | 9mm                |
| Data                                  | TSE/CE             |
| Voltage                               | 750V               |
| Section                               | 4,0mm <sup>2</sup> |
| Norm                                  | EN-60947-7-2       |
| Pcs                                   | 100                |

### Stopper

Stopper-1202,1212,1222

### Sticker

Group Sticker-1232

### Marking

Marking-9770/4390/4442/9540/7301