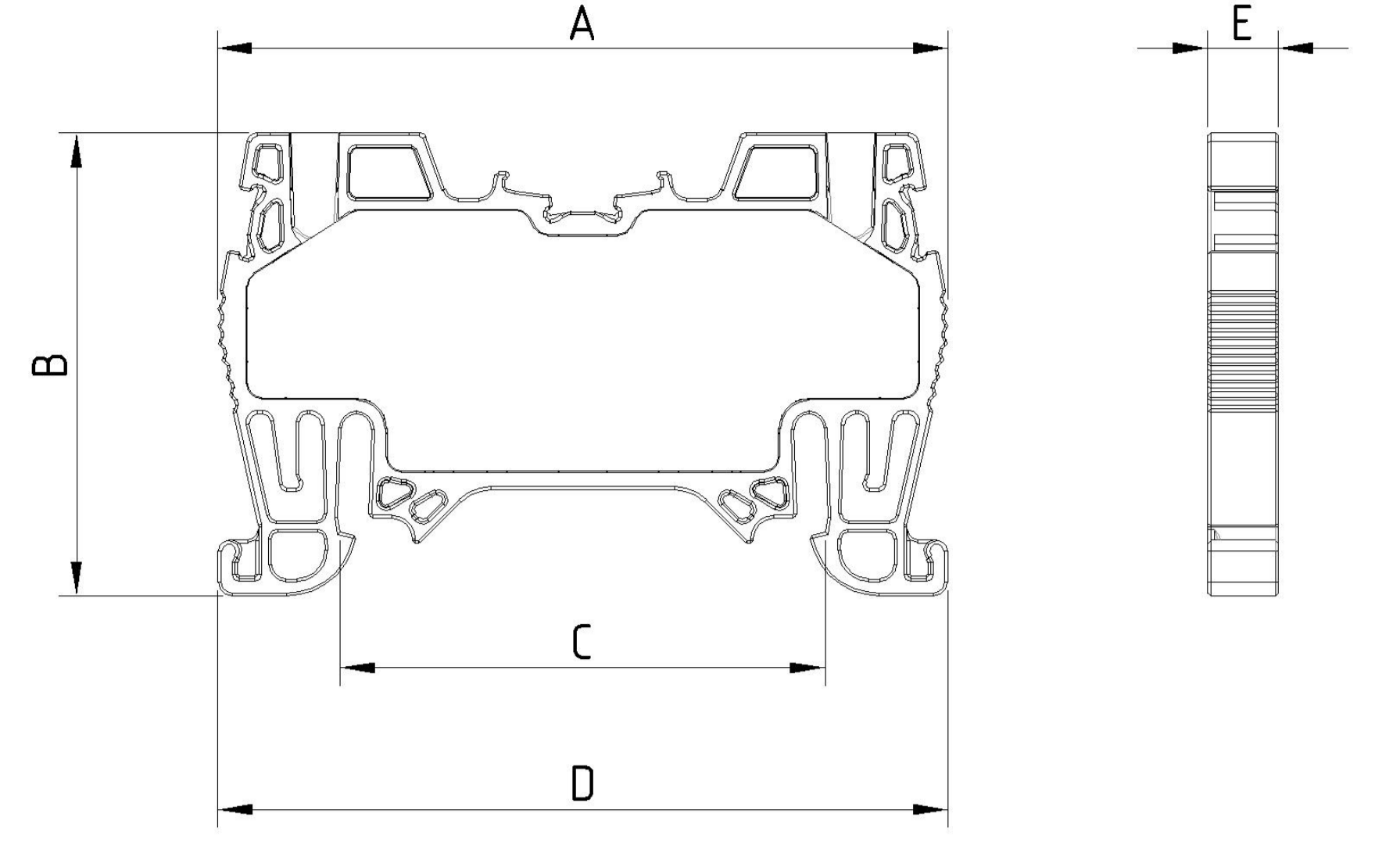




OPK SLIM 2,5mm² PUSH-IN RAIL TERMINAL BLOCK

Product code:

Product code: 1020814



<https://onka.com.tr/opk-slim-2-5mm2-push-in-rail-terminal-block>

Dimensions

Dimensions	
A	52
B	33
C	34.5
D	51.9
E	5

Materials

Body	PA6.6
Bridge	Copper
Orange Button	PA6.6
Spring	Stainless Steel
Temperature	-40°C,+140°C
Cable Strip L.	9mm
Data	TSE/CE
Voltage	750V
Current	24A
Section	2,5mm ²
Norm	EN-60947-7-1

Color

Color	Order No	Order No	Pcs.
Grey	1020814	1020825	50
Cream	1020815	1020826	50
Black	1020816	1020827	50
Blue	1020817	1020828	50
Brown	1020818	1020829	50
Red	1020819	1020830	50
Yellow	1020820	1020831	50
Green	1020821	1020832	50
Camouflage	1020823	1020833	

Cross

1920	1,5/2	100
1921	1,5/3	100
1922	1,5/4	100
1923	1,5/10	30
1924	1,5/20	20

Stopper

1060002, 1060005, 1060014

Sticker

1060024

Marking

1060202, 1060198, 1060194, 1060200, ONKA 8943-S11