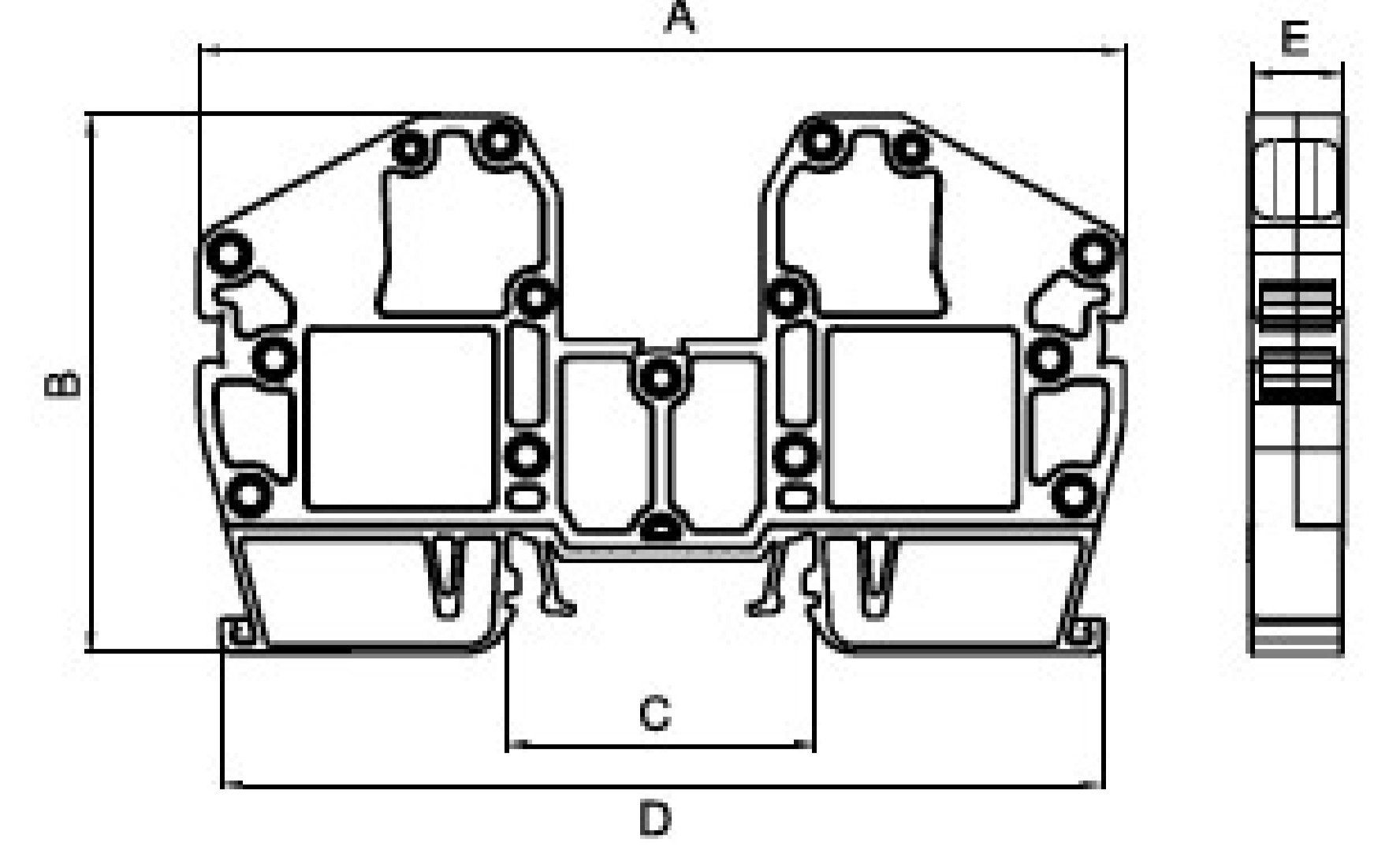




OPK 35mm² PUSH-IN RAIL TERMINAL BLOCK

Product code:
Product code: 1552



<https://onka.com.tr/opk-35mm2-push-in-rail-terminal-block>

Dimensions

Dimensions (mm)	
A	103
B	60
C	34.5
D	98
E	15.2

Materials

Body	PA6.6
Bridge	Copper
Orange Button	PA6.6
Spring	Stainless Steel
Temperature	-40 °C, +140 °C
Cable Strip L.	22mm
Data	TSE/CE
Voltage	750V
Current	125A
Section	35mm ²

Color

	V2	V0	
Colour	Order No	Order No	Pcs.
Grey	1552	0972	20
Cream	1553	0973	20
Black	1554	0974	20
Blue	1555	0975	20
Brown	1556	0976	20
Red	1557	0977	20
Yellow	1558	0978	20
Green	1559	0979	20

Cross

Order No	Section	Pcs.
1959	35/2	10
1960	35/3	10
1961	35/4	10
1962	35/10	10

Stopper

Stopper-1202,1212,1222

Sticker

Group Sticker-1232

Marking

Marking-9770/4442/9540
