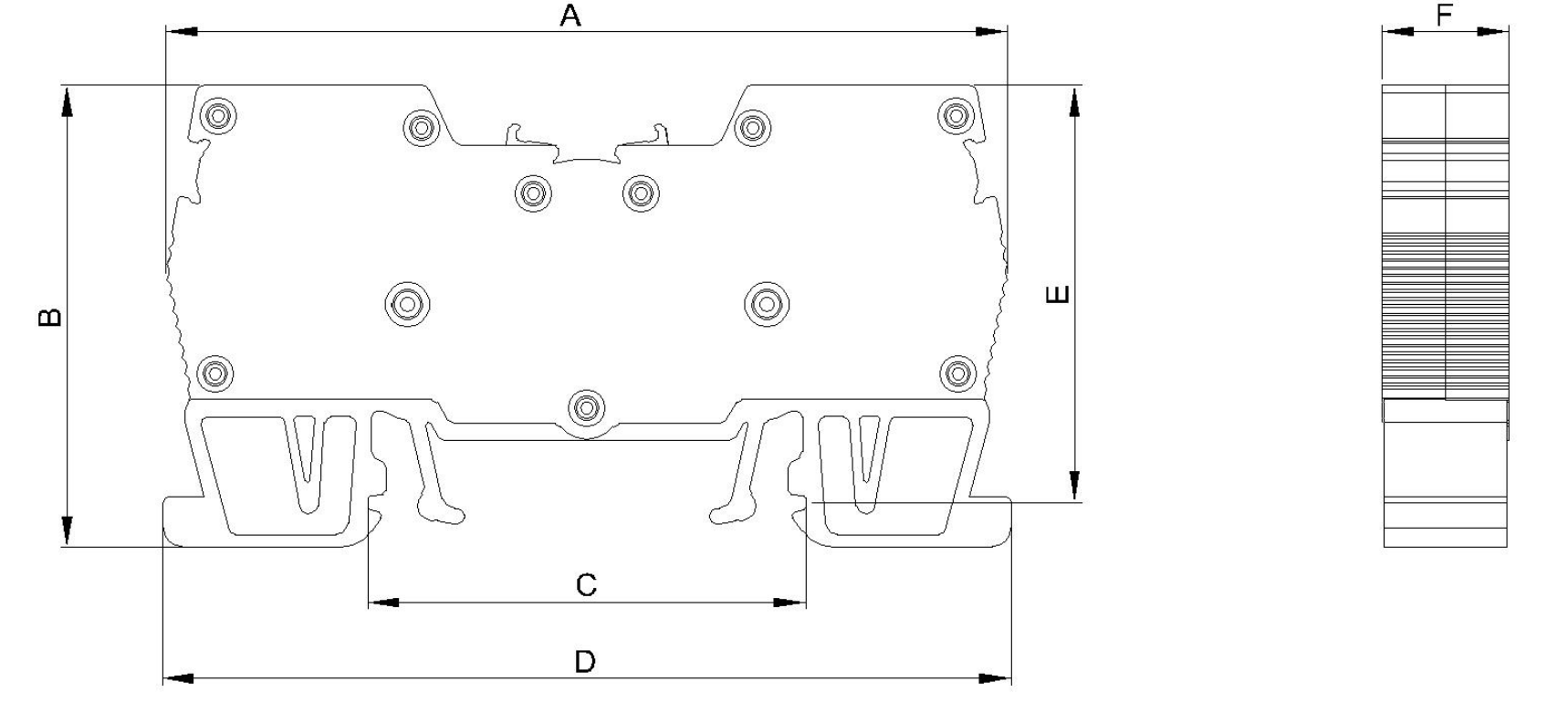


OPK 10mm² PUSH-IN RAIL TERMINAL BLOCK

Product code:

Product code: 1020044



<https://onka.com.tr/opk-10mm2-push-in-rail-terminal-block-2>

Dimensions

Dimensions (mm)	
A	66.3
B	36.4
C	34.5
D	66.8
E	32.9
F	10

Materials

Body	PA6.6
Bridge	Copper
Orange Button	PA6.6
Spring	Stainless Steel
Temperature	-40°C,+140°C
Cable Strip L.	12mm
Data	TSE/CE
Voltage	750V
Current	57A
Section	10mm ²
Norm	EN-60947-7-1

Color

	V2	V0	
Colour	Order No	Order No	Pcs.
CAMOUFLAGE	1020805		
Grey	1020044	1020097	100
Cream	1020045		100
Black	1020046		100
Blue	1020047		100
Brown	1020048		100
Red	1020049		100
Yellow	1020050		100
Green	1020051		100

Cross

Order No	Section	Pcs.
1060132	10/2	100
1060133	10/3	50
1060134	10/4	50
1060135	10/10	15
1060136	10/20	10

Stopper

1060002, 1060005, 1060014

Sticker

1060024

Marking

1060432, 1060188, 1060194, 1060200, ONKA 8943-S11