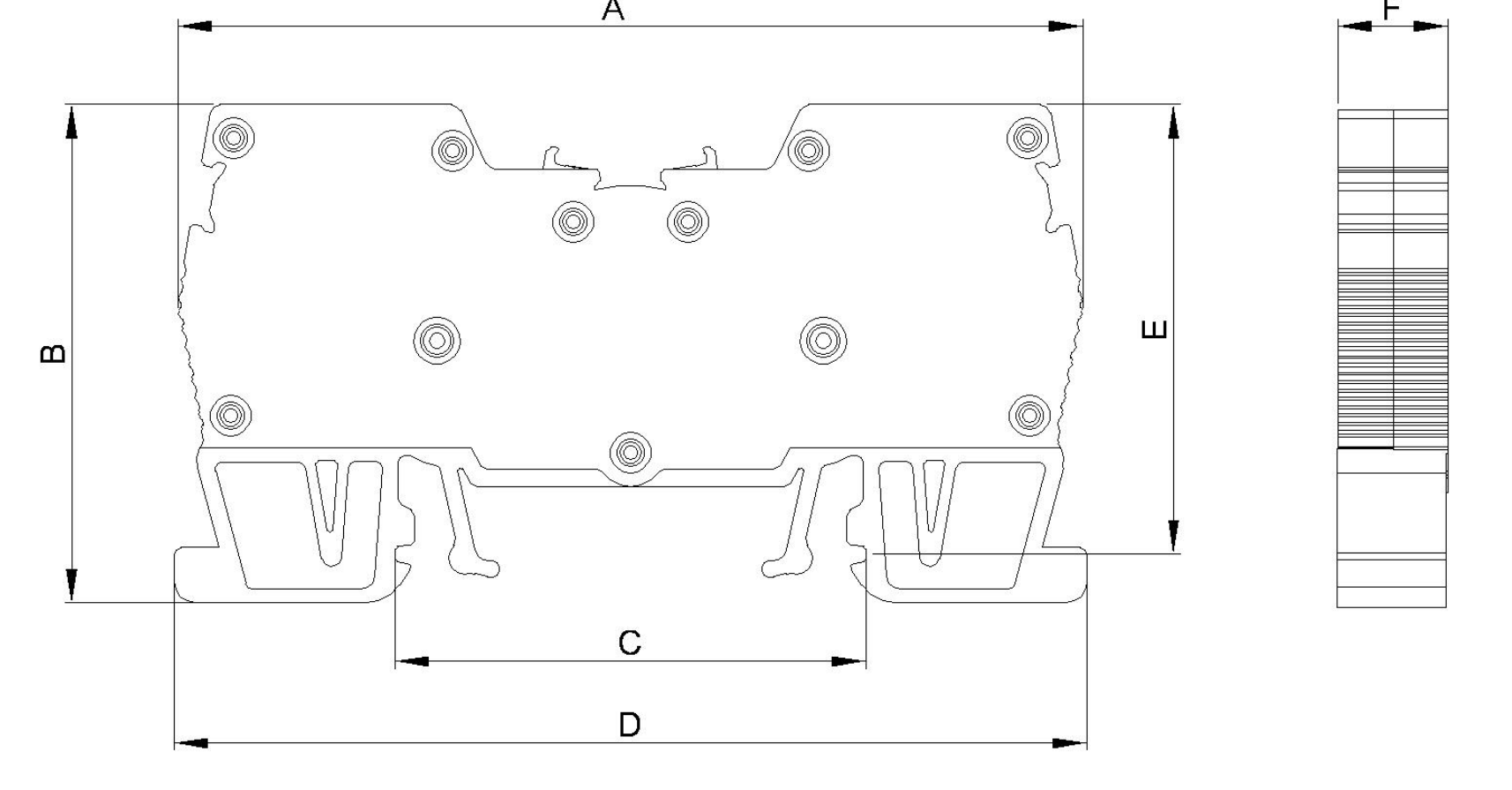


### OPK 6mm<sup>2</sup> PUSH-IN RAIL TERMINAL BLOCK

**Product code:**  
Product code: 1020034



<https://onka.com.tr/opk-6mm2-push-in-rail-terminal-block-2>

### Dimensions

Dimensions	
Dimensions (mm)	
A	66.3
B	36.4
C	34.5
D	66.8
E	32.9
F	8.1

### Materials

Body	PA6.6
Bridge	Copper
Orange Button	PA6.6
Spring	Stainless Steel
Temperature	-40°C,+140°C
Cable Strip L.	12mm
Data	TSE/CE
Voltage	750V
Current	41A
Section	6,0mm <sup>2</sup>
Norm	EN-60947-7-1

### Color

	V2	V0	
Colour	Order No	Order No	Pcs.
CAMOUFLAGE	1020804		
Grey	1020034	1020096	100
Cream	1020035		100
Black	1020036		100
Blue	1020037	1020550	100
Brown	1020038		100
Red	1020039		100
Yellow	1020040		100
Green	1020041	1020551	100

### Cross

Order No	Section	Pcs.
1060127	6/2	100
1060128	6/3	50
1060129	6/4	50
1060130	6/10	15
1060131	6/20	10

### Stopper

1060002,1060005,1060014

### Sticker

1060024

### Marking

1060432 ,1060188, 1060194, 1060200, ONKA8943-S11