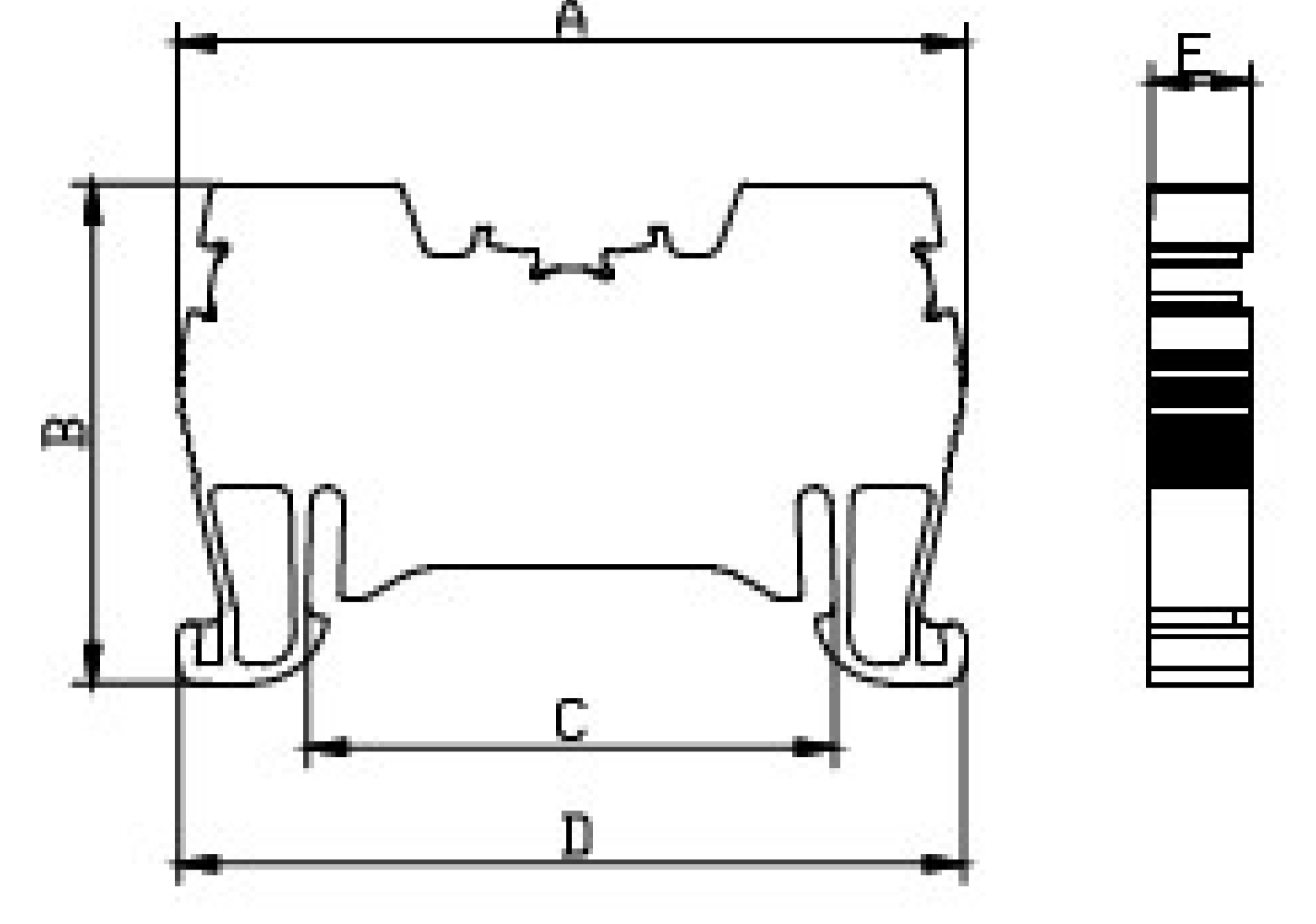




### OPK 4mm<sup>2</sup> PUSH-IN RAIL TERMINAL BLOCK

**Product code:**  
Product code: 1512



<https://onka.com.tr/opk-4mm2-push-in-rail-terminal-block>

### Dimensions

Dimensions (mm)	
A	52
B	33
C	34.5
D	51.9
E	6.6

### Materials

Body	PA6.6	
Bridge	Copper	
Spring	Stainless Steel	
Temperature	-40°C,+140°C	
Cable Strip L.	9mm	
Data	TSE/CE	UL
Voltage	750V	600V
Current	32A	26A
Section	4,0mm <sup>2</sup>	10AWG
Norm	EN-60947-7-1	UL1059

### Color

	V2	V0	
Colour	Order No	Order No	Pcs.
Grey	1512	0932	100
Cream	1513	0933	100
Black	1514	0934	100
Blue	1515	0935	100
Brown	1516	0936	100
Red	1517	0937	100
Yellow	1518	0938	100
Green	1519	0939	100

### Cross

Order No	Section	Pcs.
1930	4/2	100
1931	4/3	100
1932	4/4	50
1933	4/10	30
1934	4/20	20

### Stopper

Stopper-1202,1212,1222

### Sticker

Group Sticker-1232

### Marking

Marking-9770/4390/4442/9540/7301