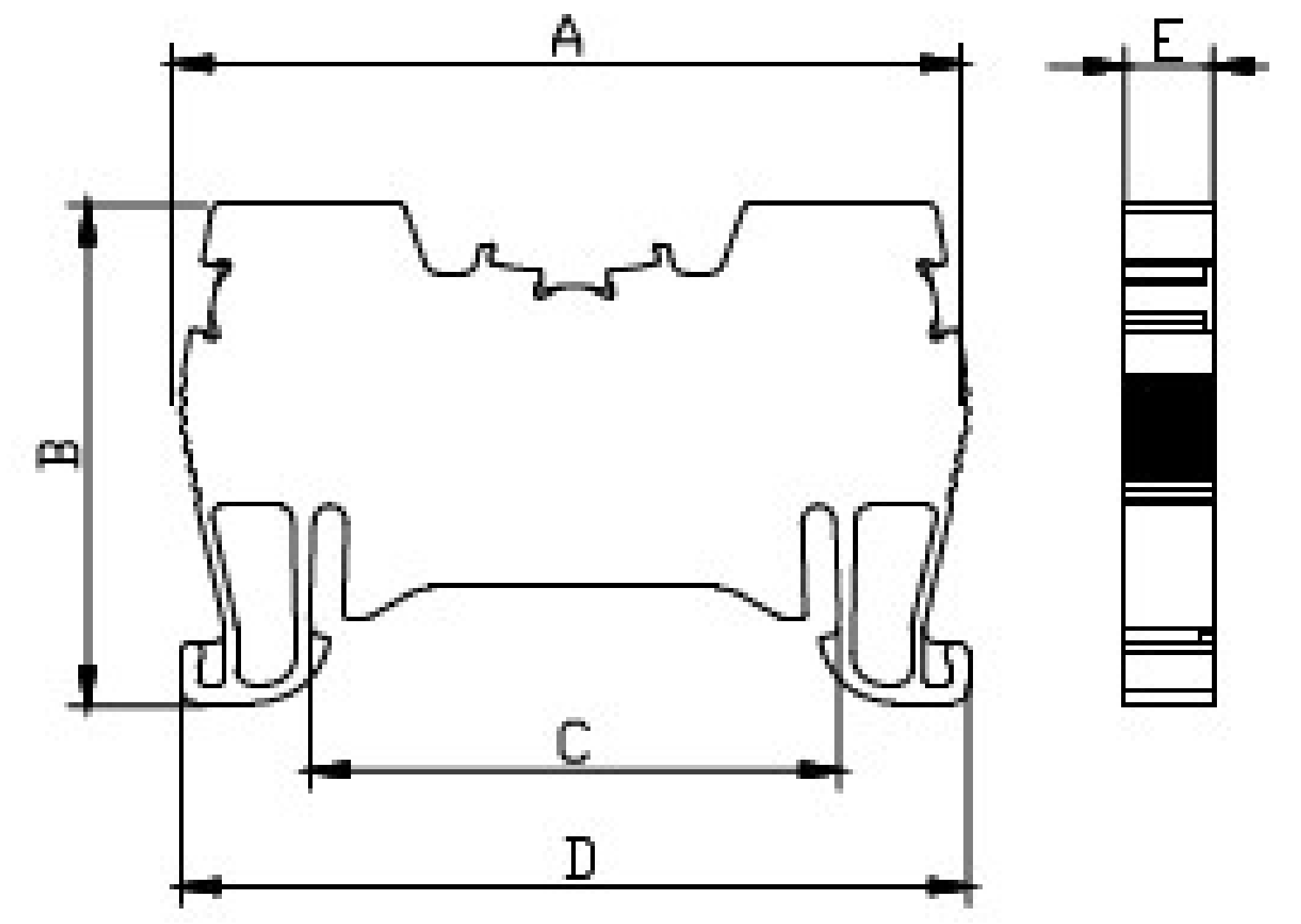




OPK 2,5mm² PUSH-IN RAIL TERMINAL BLOCK

Product code:
Product code: 1502



<https://onka.com.tr/opk-2-5mm2-push-in-rail-terminal-block>

Dimensions

Dimensions	
Dimensions (mm)	
A	52
B	33
C	34.5
D	51.9
E	5.8

Materials

Body	PA6.6	
Bridge	Copper	
Orange Button	PA6.6	
Spring	Stainless Steel	
Temperature	-40°C,+140°C	
Cable Strip L.	9mm	
Data	TSE/CE	UL
Voltage	750V	600V
Current	24A	20A
Section	2,5mm ²	12AWG
Norm	EN-60947-7-1	UL1059

Color

	V2	V0	
Colour	Order No	Order No	Pcs.
Grey	1502	0922	100
Cream	1503	0923	100
Black	1504	0924	100
Blue	1505	0925	100
Brown	1506	0926	100
Red	1507	0927	100
Yellow	1508	0928	100
Green	1509	0929	100

Cross

Order No	Section	Pcs.
1925	2,5/2	100
1926	2,5/3	100
1927	2,5/4	75
1928	2,5/10	30
1929	2,5/20	20

Stopper

Stopper-1202,1212,1222

Sticker

Group Sticker-1232

Marking

Marking-9770/4440/4442/9540/7301