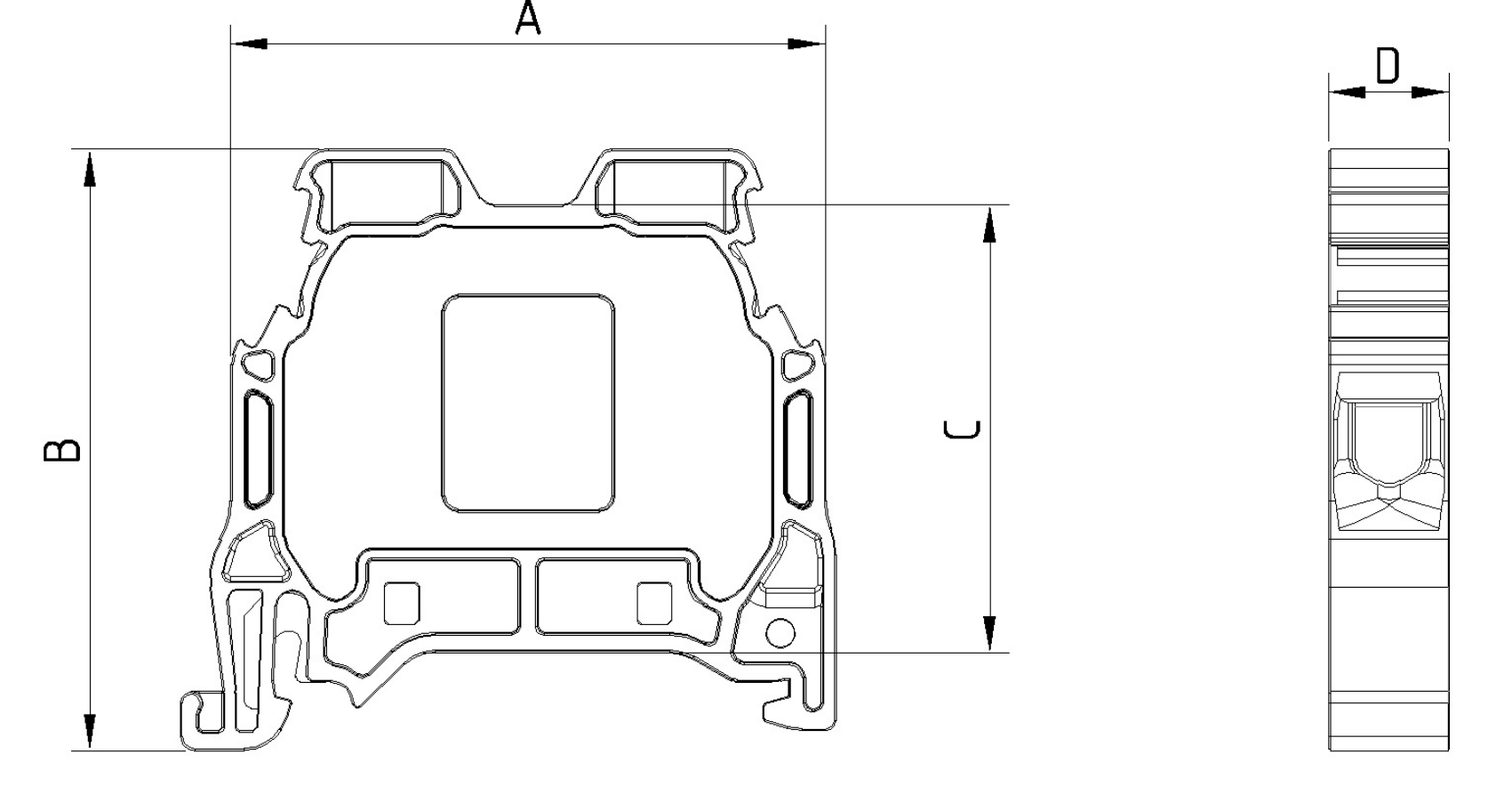


MTK 6mm² SCREW CONNECTION GROUND RAIL TERMINAL BLOCK

Product code:

Product code: 1010541



<https://onka.com.tr/mtk-6mm2-screw-connection-ground-rail-terminal-block>

Dimensions

Dimensions (mm)	
A	40
B	41.3
C	30
D	8.7

Materials

Body	PA6.6
Bridge	Copper
Contact	CK45 Steel
Screw	Steel
The Leg which contact to the Din Rail	Brass
Temperature	-40°C,+140°C
Cable Strip L.	12mm
Torque	0,8Nm
Data	TSE/CE
Voltage	750V
Section	6,0mm ²
Norm	EN-60947-7-2

Stopper

Stopper-1060002, 1060005, 10600014

Sticker

Group Sticker-1060024

Marking

Marking-1060202, 1060188, 1060194, 1060200, ONKA 8943-S11