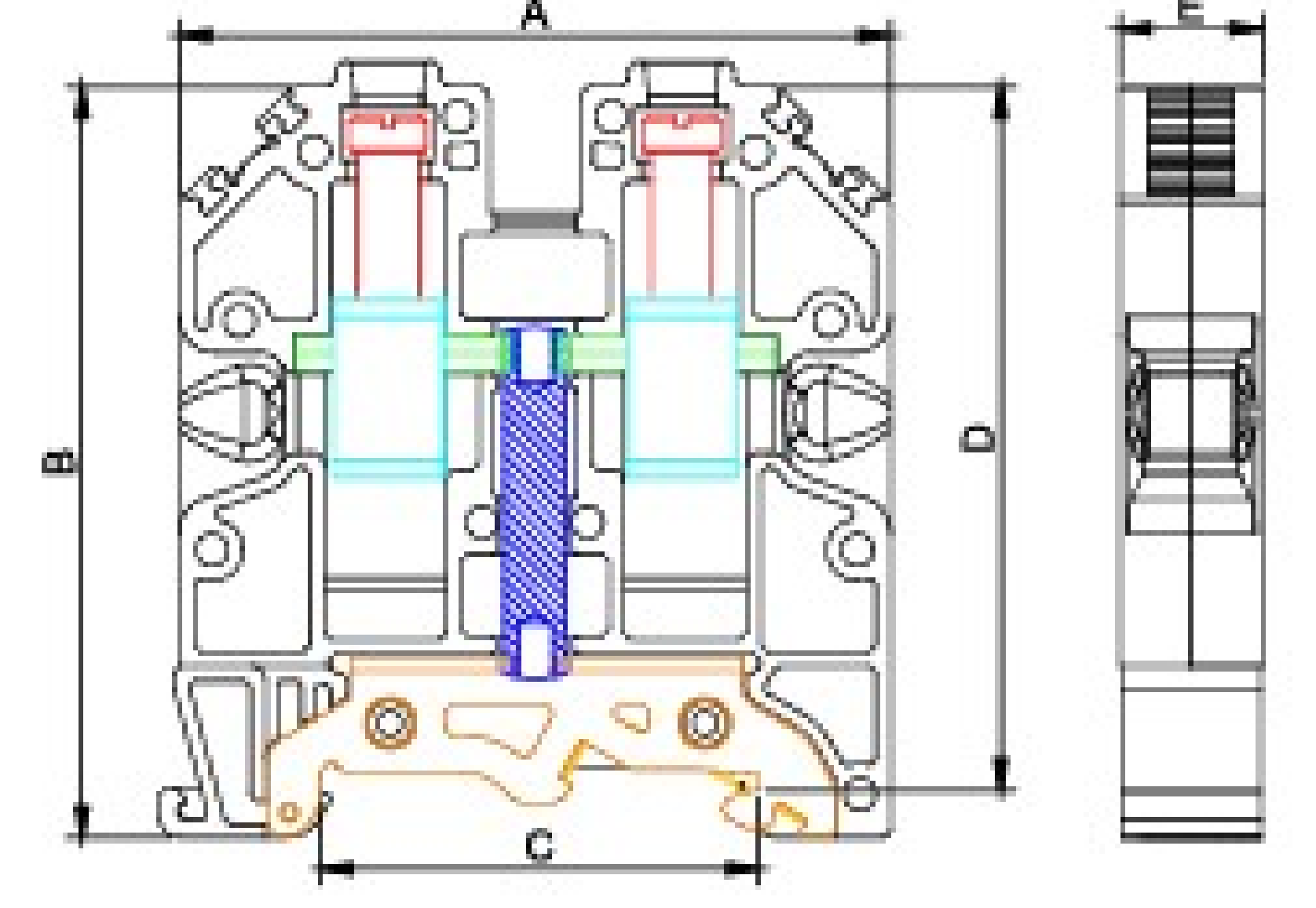




MTK 25mm² SCREW CONNECTION GROUND RAIL TERMINAL BLOCK

Product code:

Product code: 1297



<https://onka.com.tr/mtk-25mm2-screw-connection-ground-rail-terminal-block>

Dimensions

Dimensions	
Dimensions (mm)	
A	58.2
B	63.5
C	34.5
D	57
E	11.6

Materials

Body	PA6.6
Bridge	Copper
Contact	CK45 Steel
Screw	Steel
The Leg which contact to the Din Rail	Brass
Temperature	-40°C,+140°C
Cable Strip L.	16mm
Torque	1,2Nm
Data	TSE
Voltage	750V
Section	25mm
Norm	EN-60947-7-2
Pcs	50

Stopper

Stopper-1202,1212,1222

Marking

Marking-9770/4442/9540