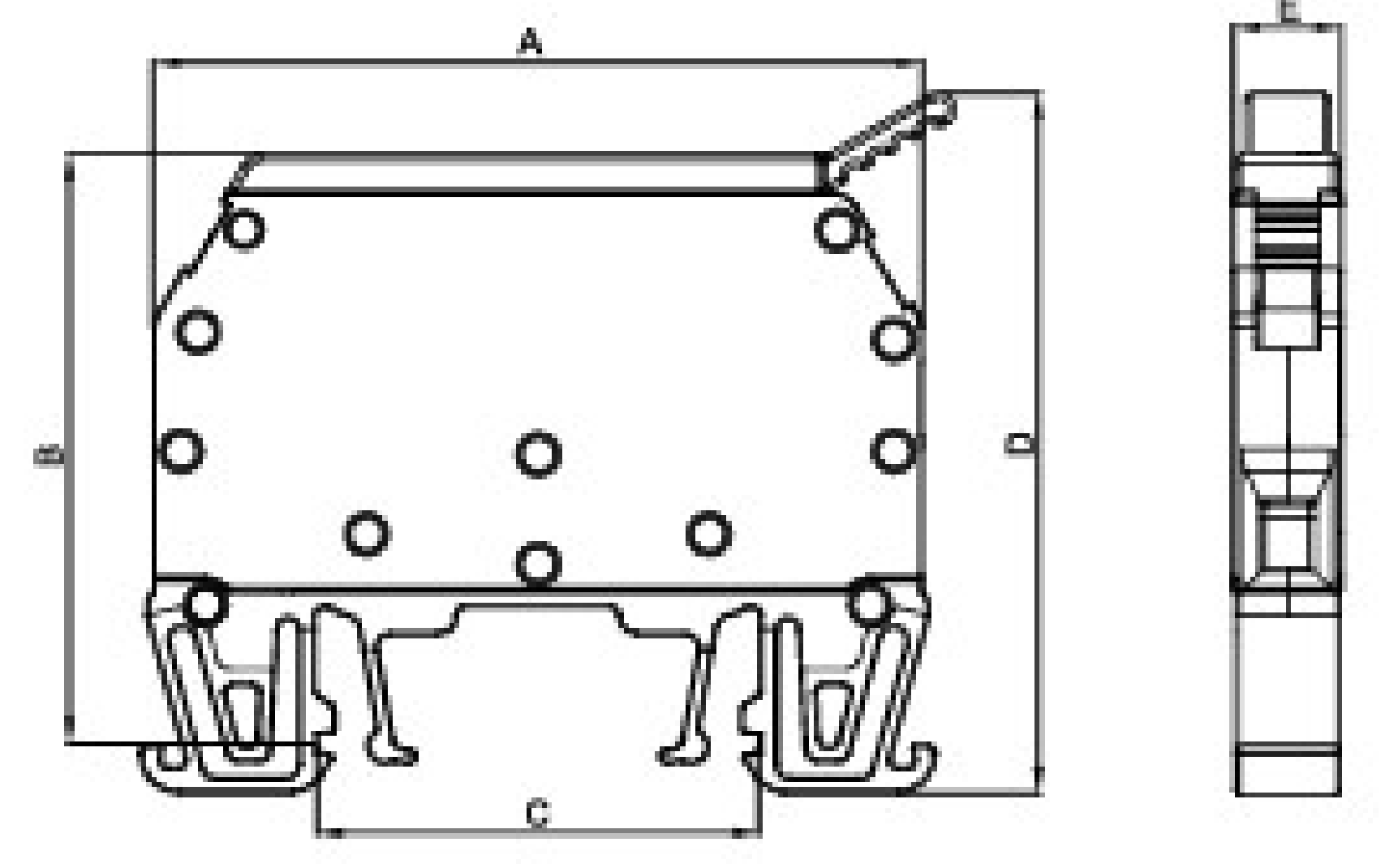




### MRK-S 6mm<sup>2</sup> SCREW CONNECTION FUSED TERMINAL BLOCK(FUSE NOT INCLUDED)

**Product code:**  
Product code: 1322



<https://onka.com.tr/mrk-s-6mm2-screw-connection-fused-terminal-block-fuse-not-included>

### Dimensions

Dimensions (mm)	
A	60
B	47
C	34.5
D	54.6
E	8.8

### Materials

Body	PA6.6	
Bridge	Copper	
Contact	CK45 Steel	
Screw	Steel	
Temperature	-40°C,+140°C	
Cable Strip L.	10mm	
Torque	0,8Nm	
Data	TSE/CE	UL
Voltage	750V	600V
Current	6,3A	6,3A
Section	6mm <sup>2</sup>	8AWG
Norm	EN-60947-7-3	UL1059

### Color

Colour	Order No	Pcs.
Grey	1322	100

### Type

Type	Order No	Pcs.
Busbar	1332	100
12VAC/DCLed	1342	100
24VAC/DCLed	1352	100
48VAC/DCLed	1372	100
110VAC/DCLed	1392	100
120VAC/DCLed	1402	100

### Stopper

Stopper-1202,1212,1222
------------------------

### Sticker

Group Sticker-1232
--------------------

### Marking

Marking-9770/2630/4442/9540
-----------------------------

### Glass Fuse

WE-FS-52
----------