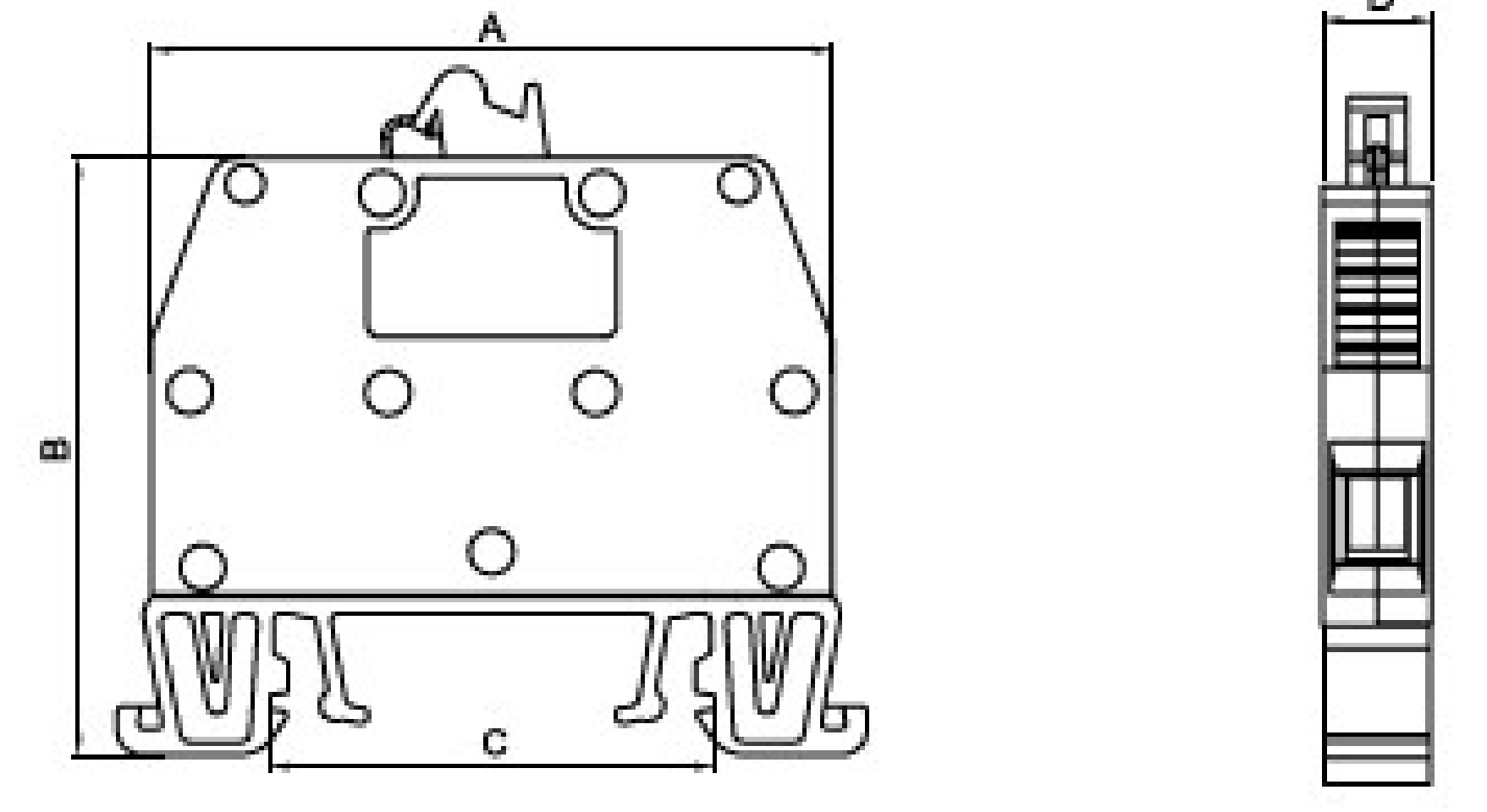




MRK 6mm² SCREW CONNECTION, KNIFE TEST DISCONNECT TERMINAL BLOCK

Product code:
Product code: 1316



<https://onka.com.tr/mrk-6mm2-screw-connection-knife-test-disconnect-terminal-block>

Dimensions

Dimensions (mm)	
A	52.8
B	46.5
C	34.5
D	8.5

Materials

Body	PA6.6	
Bridge	Copper	
Contact	CK45 Steel	
Screw	Brass	
Temperature	-40°C,+140°C	
Cable Strip L.	12mm	
Torque	0,8Nm	
Data	TSE/CE	UL
Voltage	750V	600V
Current	41A	41A
Section	6mm ²	8AWG
Norm	EN-60947-7-1	UL1059

Color

Colour	Order No	Pcs.
Grey	1316	100
Beige	1317	100

Stopper

Stopper-1202,1212,1222

Sticker

Group Sticker-1232

Marking

Marking-9770/2630/4442/9540