

Technical Data Sheet

Date: 03/11/2022

4x32A CEE Norm Connector

Ref. No: 3126-304-1601



Pack Unit
10



Weight
166 gr.

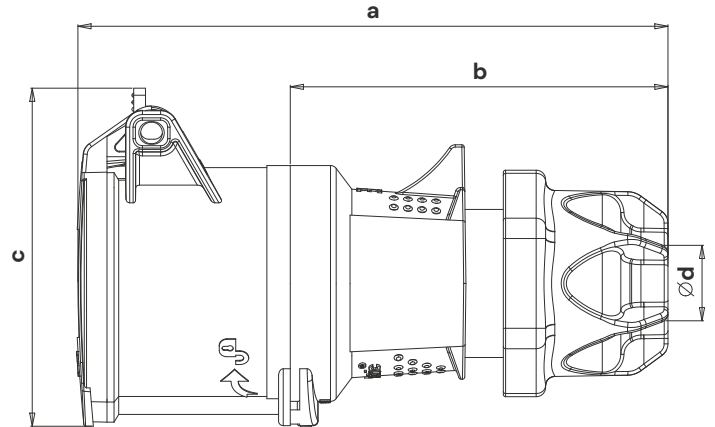


Technical Informations

Ampere	32A
Voltage	380 - 415 V. AC
Hertz	50 - 60 Hz
Protection Class	IP 44
Clock Postion	6h
Number Of Poles	4 (3P + E)
Contact Material	Brass (CuZn)
Housing Material	PA6
Connection Type	Screw
Operation Temp. (-25 / + 40 IEC 60309)	-25 / +80 (1 hour -100° C)

Dimensions

a	135
b	89
c	78
Ød	6-16
Cable Diameter(Min.)	1 mm ²
Cable Diameter(Max.)	2,5 mm ²



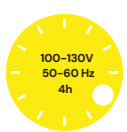
Different Earth Contact Positions (Clock Positions)



3122-304-1101-2h



3122-304-1601-3h



3122-304-0701-4h



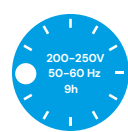
3122-304-0301-5h



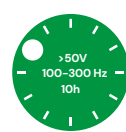
3122-304-1601



3122-304-0301-7h



3122-304-0901-9h



3122-304-1101-10h



3122-304-1601-11h



Tel: +90 232 880 90 01
Fax: +90 232 880 90 02



info@tpelectric.com.tr



Kemalpaşa O.S.B. 600 Sk. No:364
35730 Kemalpaşa - İZMİR / TÜRKİYE