

Kablo VH

Wiring trunking systems and accessories
for electrical panels



Wiring duct **HALOGEN free**

	
Dimensioni Dimensions B x H	 Grigio RAL7035 Passo 12,5 mm Tranciatura 6 mm Lamella 6,5 mm
	Grey RAL7035 Step 12,5 mm Slot 6 mm Segment 6,5 mm
25x40 mm	V6H4025
40x40 mm	V6H4040
40x60 mm	V6H6040
60x60 mm	V6H6060
40x80 mm	V6H8040
60x80 mm	V6H8060
80x80 mm	V6H8080
60x100 mm	V6H10060
80x100 mm	V6H80100
100x100 mm	V6H100100

Useful section and cable containment capacity

N. of insertable cables type H07V-U/R/K

V6H	Dimensioni Dimension	Sezione utile Cross section mm ²	1 mm ²	1,5 mm ²	2,5 mm ²
	B x H mm				
V6H4025	25x40	701	66	48	33
V6H4040	40x40	1.227	116	84	58
V6H6040	40x60	1.967	187	135	94
V6H6060	60x60	3.105	295	214	148
V6H8040	40x80	2.707	257	186	129
V6H8060	60x80	4.245	404	292	203
V6H8080	80x80	5.795	551	399	277
V6H10060	60x100	5.385	512	371	257
V6H80100	80x100	7.335	698	505	350
V6H100100	100x100	9.285	884	640	444

13 F2 Smoke emission class of the channels V6H

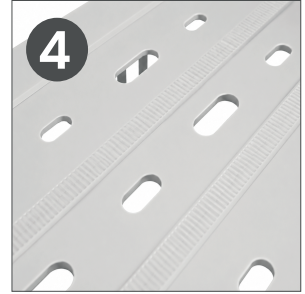
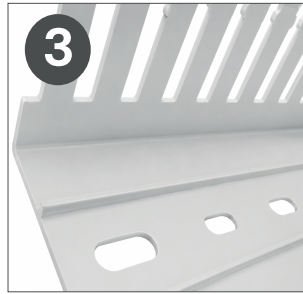
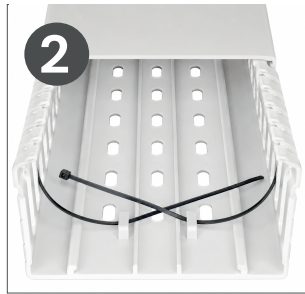
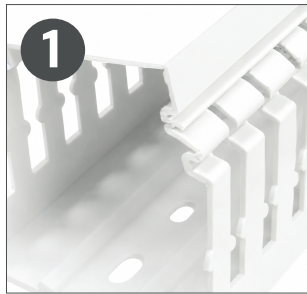
In order to conform to the highest standards for the safety Arnocanali proposes to the customers the new PC-ABS halogen-free wiring ducts, which is the ideal solution in those cases where security is a fundamental requirement. Indeed, in case of fire, such material, besides avoiding the spread of flames, shoots a gas having a very low content of toxicants, as well as fumes which do not hinder the view. V6H and VOH conform to the norm CEI 23-22, DIN 43659 (trunking punching), VDE 0472 (halogen free), UL 94 VO (self extinguishing).

The most important sectors where the halogen free products can be used are:

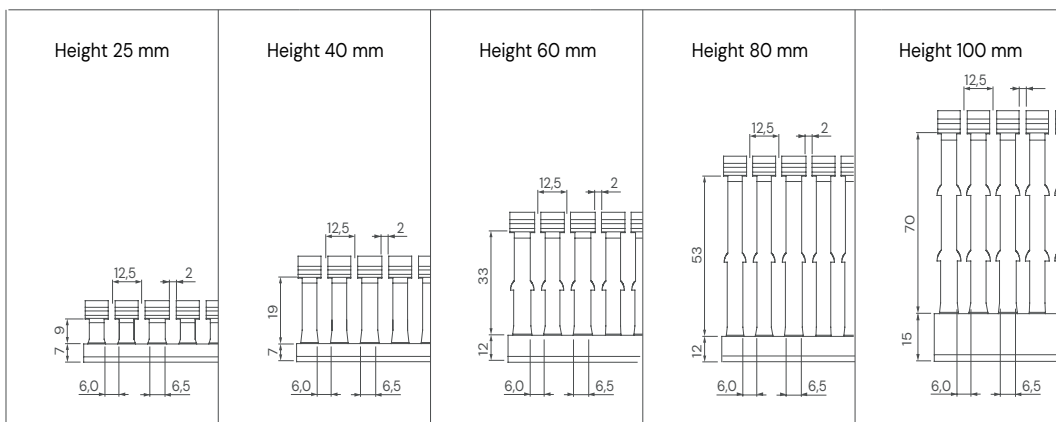
- Places where many people gather frequently:(cinemas, theatres, schools), places requiring a high standard of security (undergrounds, subway stations, military, naval), industrial plants (petrochemical, off-shore platforms, power stations), means of transport (subways, trains, boats, planes).

6 grounds to choose the wiring ducts V6H

- 1 - Easing closing cover
- 2 - Loops on the bottom to insert cable ties
- 3 - Stiffen up guide on the bottom of trunking
- 4 - Milling for more grip with adhesive
- 5 - Internal and external precutted segment and bottom
- 6 - Cover with non-slip soft coextruded on the V5K and V6K ducts



Wall punching dimensions of the ducts V6H



Bases punching scheme V6H

