

# Technical Data Sheet

Date: 03/11/2022

## 5x16A CEE N. Angled Panel Mount Socket

Ref. No: 3106-309-1600



Pack Unit

10



Weight

281 gr.

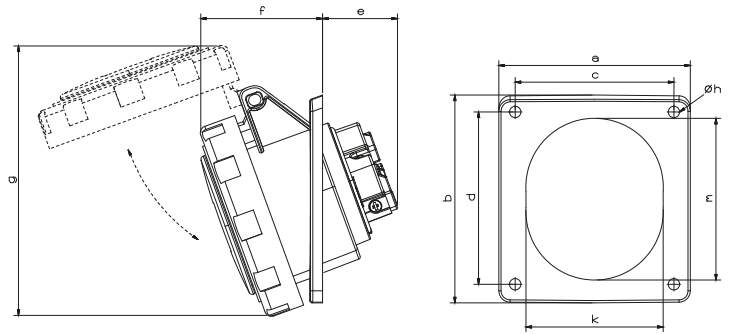


## Technical Informations

Ampere	16A
Voltage	380 - 415 V. AC
Hertz	50 - 60 Hz
Protection Class	IP 67
Clock Postion	6h
Number Of Poles	5 (3P + N + E)
Contact Material	Brass (CuZn)
Housing Material	PA6
Connection Type	Screw
Operation Temp. (-25 / + 40 IEC 60309)	-25 / +80 (1 hour -100° C)

## Dimensions

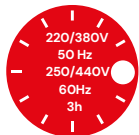
a	83	e	41
b	90	f	59
c	70	g	133
d	76	Øh	5
Cable Diameter(Min.)	2,5 mm <sup>2</sup>	k	72
Cable Diameter(Max.)	10 mm <sup>2</sup>	m	82



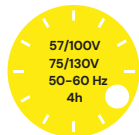
## Different Earth Contact Positions (Clock Positions)



3108-309-1100-2h



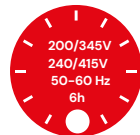
3108-309-1600-3h



3108-309-0700-4h



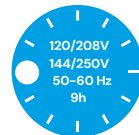
3108-309-0300-5h



3108-309-1600



3108-322-0300-7h



3108-309-0900-9h



3108-309-1600-11h



Tel: +90 232 880 90 01  
Fax: +90 232 880 90 02



info@tpelectric.com.tr



Kemalpaşa O.S.B. 600 Sk. No:364  
35730 Kemalpaşa - İZMİR / TÜRKİYE