

## GABINETE DE LA SERIE OK

# ZAK- Zócalo H =100

**Description** ZAK plinths h=100mm include 4 corner pieces made up of steel sheet thick 2.0 mm, and front and rear plates h=100 mm. They are painted RAL 7024 textured. The plinth is completed by the additional side flanges code FLK. The assembling on the enclosures is possible thanks to inspectable front and rear elements.

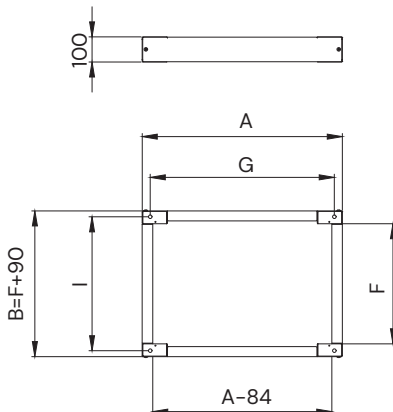
### Code ZAK includes:

- Pair of front and rear plates H=100 mm;
- Set of 4 corner elements H=100 mm;
- Screws.

The plinth is completed with the side flanges code FLK, h=100mm.

### Code FLK includes:

- Pair of side flanges H=100 mm;
- Screws.



### ZFT

CODE	Nominal dimensions	
	Width	Height
ZFT0A1-G	1000	100
ZFT0A1X	1000	100
ZFT0C1-G	1200	100
ZFT0C1X	1200	100
ZFT061-G	600	100
ZFT061X	600	100
ZFT081-G	800	100
ZFT081X	800	100

### ZLT

CODE	Nominal dimensions	
	Width	Height
ZLT14-G	400	100
ZLT14X	400	100
ZLT15-G	500	100
ZLT15X	500	100
ZLT16-G	600	100
ZLT16X	600	100
ZLT18-G	800	100
ZLT18X	800	100

**Note:** plinth code ZAK and side flanges code FLK are used on enclosures series OK, AF and AS and on all the series of consoles.