

GABINETE DE LA SERIE OK

ZAK- Zócalo H =100

Description ZAK plinths h=100mm include 4 corner pieces made up of steel sheet thick 2.0 mm, and front and rear plates h=100 mm. They are painted RAL 7024 textured. The plinth is completed by the additional side flanges code FLK. The assembling on the enclosures is possible thanks to inspectable front and rear elements.

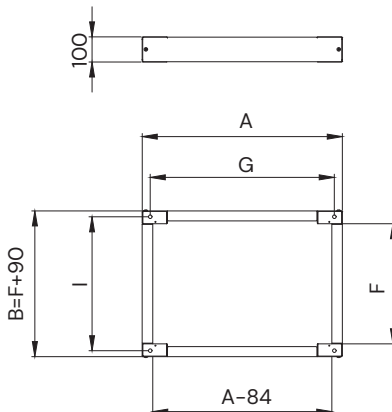
Code ZAK includes:

- Pair of front and rear plates H=100 mm;
- Set of 4 corner elements H=100 mm;
- Screws.

The plinth is completed with the side flanges code FLK, h=100mm.

Code FLK includes:

- Pair of side flanges H=100 mm;
- Screws.



ZFT

| CODE | Nominal dimensions | |
|----------|--------------------|--------|
| | Width | Height |
| ZFT0A1-G | 1000 | 100 |
| ZFT0A1X | 1000 | 100 |
| ZFT0C1-G | 1200 | 100 |
| ZFT0C1X | 1200 | 100 |
| ZFT061-G | 600 | 100 |
| ZFT061X | 600 | 100 |
| ZFT081-G | 800 | 100 |
| ZFT081X | 800 | 100 |

ZLT

| CODE | Nominal dimensions | |
|---------|--------------------|--------|
| | Width | Height |
| ZLT14-G | 400 | 100 |
| ZLT14X | 400 | 100 |
| ZLT15-G | 500 | 100 |
| ZLT15X | 500 | 100 |
| ZLT16-G | 600 | 100 |
| ZLT16X | 600 | 100 |
| ZLT18-G | 800 | 100 |
| ZLT18X | 800 | 100 |

Note: plinth code ZAK and side flanges code FLK are used on enclosures series OK, AF and AS and on all the series of consoles.