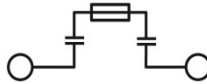




# EURO S4-LH

Article: **43445 HTT**



Fuse Terminal Block - G5x20mm - Grey  
 Screw connection - 4mm<sup>2</sup> / 10AWG - Width 10 mm



## GENERAL DATA

Series	<b>EURO S4-LH</b>
Item	<b>43445 HTT</b>
Weight/Piece	<b>18.6 g</b>
Catalog	<b>01</b>
Customs tariff	<b>85369010</b>
Colour	<b>Grey</b>
Q.ty p.pck.	<b>50</b>
Q.ty p. box	<b>-</b>

## TECHNICAL DATA / DIMENSIONS

### Dimensions

Width mm	10
Length mm	66
Height mm	44
Mounting type (EN 60715)	Omega TH35

### Technical data

Maximum load current	30A
Insulating material	PA66
Self-extinguishing degree acc. to UL94	V0
Lever insulating material	PA
Self-extinguishing degree acc. to UL94	V0
Pollution degree	3
Surge voltage category	III
Insulating material group	I
Nominal Voltage	500V (*)
Nominal Current	30A (*)
Glass Fuse	G 5x20 mm
Temperature index, insulating material – Elec. UL 746 B - RTI	85°C
Static insulating material lower permissible temperature	-60°C

(\*) **The max current and voltage values are determined by the fuse**

### Connection data

Conductor cross-section solid min/max	0.50 / 6 mm <sup>2</sup>
Conductor cross-section stranded min/max	0.50 / 4 mm <sup>2</sup>



AWG min/max	24-10AWG
Max conductor cross-section stranded with ferrule with plastic sleeve DIN 46228/4	4 mm <sup>2</sup> / L=12 mm
Stripping length	max 10 mm
Screw	M3 - Zinc plated steel
Tightening torque	0,6Nm / 7 Lb-In
Clamp	Zinc plated steel
Current bar	Tin Plated copper alloy

## APPROVALS


 **EN60947-7-3**      max.6,3A - 250V - 4W


 **EN60947-7-1**      4mm<sup>2</sup> – 500V – 30A

**EN60068-2-11**      Salt mist test for 96 hours

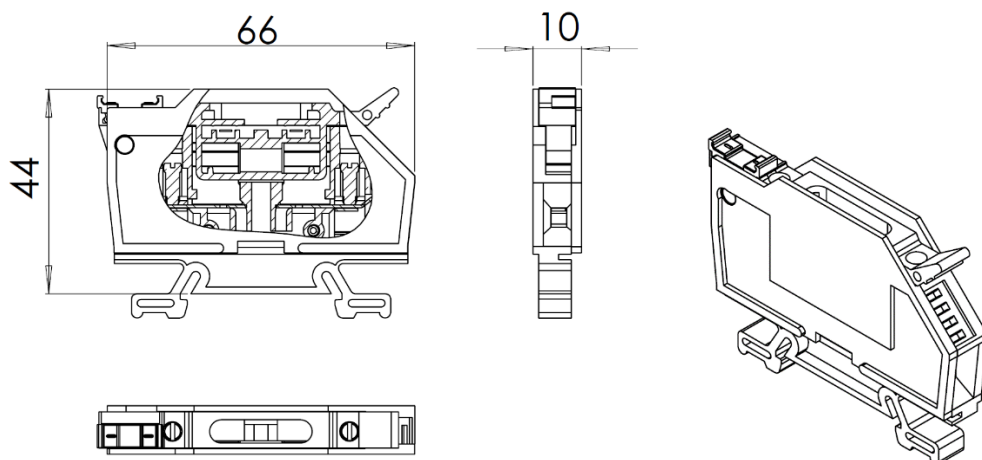
**ENEL DV27**

 **UL1059**  
E203985

 AWG 24-10 – 300V – 15A

 AWG 24-10 – 300V – 15A

## TECHNICAL DRAWINGS





## ACCESSORIES

### Marking

Item	Description
<b>438MFC0512TB</b>	Tags 5x12 for MI and 438MWK0512TBA (45tags x 20cards)
<b>438MWK0512TBA</b>	Tag adapter for: MI-EURO/Weid-WDU-ZDU/Klemsan -1box=250

### DIN RAIL system - Mounting and Installation material

Item	Description
<b>43910</b>	Description
<b>43910/F</b>	Steel Omega rail 35/7,5mm - 2mt length
<b>43911</b>	Slotted steel Omega rail 35/7,5mm - 2mt length
<b>43911/F</b>	Steel Omega rail 35/15mm - 2mt length
<b>43028</b>	Slotted steel Omega rail 35/15mm - 2mt length
<b>43442</b>	Angled support bracket
<b>43444</b>	EURO STOP - End bracket width 9
<b>43447</b>	EURO STOP - End bracket width 6
<b>43448</b>	EURO STOP - Snap-on end bracket width 6
<b>43449</b>	EURO STOP – Supporto Cartellino per Guida DIN TH35 o TH15
<b>43449-C</b>	EURO STOP - End bracket cover profile carrier

### Additional items

Item	Description
<b>43432</b>	Separator
<b>43097</b>	Disconnecter bar Ø=5x20mm