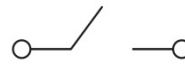




EURO T2.5

Article: **43439**

Disconnecter Terminal Block with Knife - Grey
Screw connection - 2.5mm² / 12AWG - Width 5 mm



GENERAL DATA

Series	EURO T2.5
Item	43439
Weight/Piece	10.4 g
Catalog	01
Customs tariff	85369095
Colour	Grey
Q.ty p.pkg.	50
Q.ty p. box	-

TECHNICAL DATA / DIMENSIONS

Dimensions

Width mm	5
Length mm	52
Height mm	35
Mounting type (EN 60715)	Omega TH35

Technical data

Maximum load current	20A
Insulating material	PA
Self-extinguishing degree acc. to UL94	V0
Pollution degree	3
Surge voltage category	III
Insulating material group	I
Nominal Voltage	800V
Nominal Current	16A
Knife	Copper alloy
Temperature index, insulating material – Elec. UL 746 B - RTI	130°C
Static insulating material lower permissible temperature	-60°C

Connection data

Conductor cross-section solid min/max	0.50 / 2.5 mm ²
Conductor cross-section stranded min/max	0.50 / 2.5 mm ²



AWG min/max	24-12AWG
Max conductor cross-section stranded with ferrule with plastic sleeve DIN 46228/4	2.5 mm ² / L=12 mm
Stripping length	max 10 mm
Screw	M2.6 – Zinc plated steel
Tightening torque	0,45Nm / 4 Lb-In
Clamp	Zinc plated steel
Current bar	Tin Plated copper alloy

APPROVALS



40017950

REG B778

EN60947-7-1

————— 2.5mm² – 800V – 16A

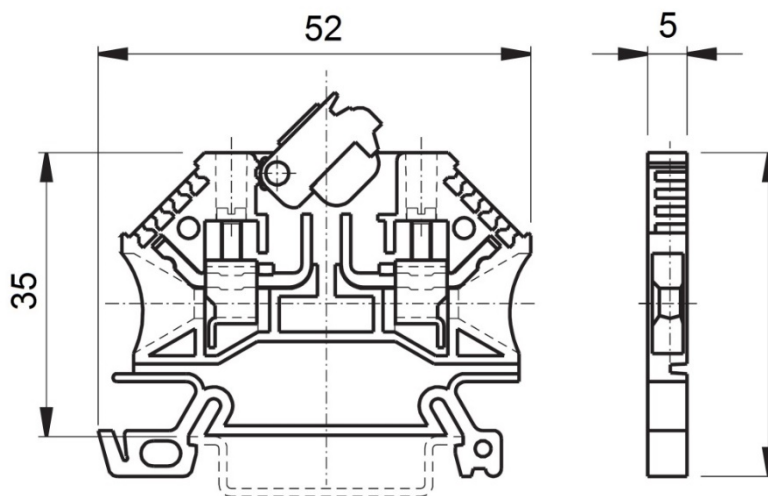
EN60068-2-11 Salt mist test for 96 hours



UL1059
E203985

————— AWG 24-12 – 600V – 20A

TECHNICAL DRAWINGS





ACCESSORIES

Marking

Item	Description
43059	Single-digit marking tag (5 x 3 mm) - white
43060/0 ÷ 43060/9	Single-digit marking tag (5 x 3 mm) – with marking: 0 ÷ 9
43060/A ÷ 43060/Z	Single-digit marking tag (5 x 3 mm) – with marking: A ÷ Z
43094	Marking tag adapter – 6 slots for marking tags
43192	Marking tags (5 x 12 mm) - white (<i>special marking on request</i>)

DIN RAIL system - Mounting and Installation material

Item	Description
43910	Steel Omega rail 35/7,5mm - 2mt length
43910/F	Slotted steel Omega rail 35/7,5mm - 2mt length
43911	Steel Omega rail 35/15mm - 2mt length
43911/F	Slotted steel Omega rail 35/15mm - 2mt length
43028	Angled support bracket
43442	EURO STOP - End bracket width 9
43444	EURO STOP - End bracket width 6
43447	EURO STOP - Snap-on end bracket width 6

Additional items

Item	Description
43017	End plate