



EURO 2.5

Article: **43408TT**



Feed-through terminal block - Grey
Screw connection - 2.5mm² / 12AWG - Width 5 mm



Script@

GENERAL DATA

| | |
|----------------|-----------------|
| Series | EURO 2.5 |
| Item | 43408TT |
| Weight/Piece | 6,4 g |
| Catalog | 01 |
| Customs tariff | 85369095 |
| Colour | Grey |
| Q.ty p.pck. | 100 |
| Q.ty p. box | 3.300 |

TECHNICAL DATA / DIMENSIONS

Dimensions

| | |
|--------------------------|------------|
| Width mm | 5 mm |
| Length mm | 44 mm |
| Height mm | 36 mm |
| Mounting type (EN 60715) | Omega TH35 |

Technical data

| | |
|---|-------|
| Maximum load current | 24A |
| Insulating material | PA |
| Self-extinguishing degree acc. to UL94 | V0 |
| Rated surge voltage | 8kV |
| Pollution degree | 3 |
| Surge voltage category | III |
| Insulating material group | I |
| Nominal Voltage | 1000V |
| Nominal Current | 24A |
| Temperature index, insulating material – Elec. UL 746 B - RTI | 130°C |
| Static insulating material lower permissible temperature | -60°C |

Connection data

| | |
|--|--------------------------|
| Conductor cross-section solid min/max | 0.50 / 4 mm ² |
| Conductor cross-section stranded min/max | 0.50 / 4 mm ² |



| | |
|---|-------------------------------|
| AWG min/max | 24-12AWG |
| Max conductor cross-section stranded with ferrule with plastic sleeve | 2.5 mm ² / L=12 mm |
| Stripping length | max 9 mm / 0.35in |
| Screw | M2.6 – Zinc plated steel |
| Tightening torque | 0,5Nm / 4. 0 Lb.-In |
| Clamp | Zinc plated steel |
| Current bar | Tin Plated copper alloy |

APPROVALS and STANDARDS



REG B573



EN60947-7-1 2.5mm² – 1000V – 24A
EN60068-2-11 Salt mist test for 96 hours

ENEL DV27

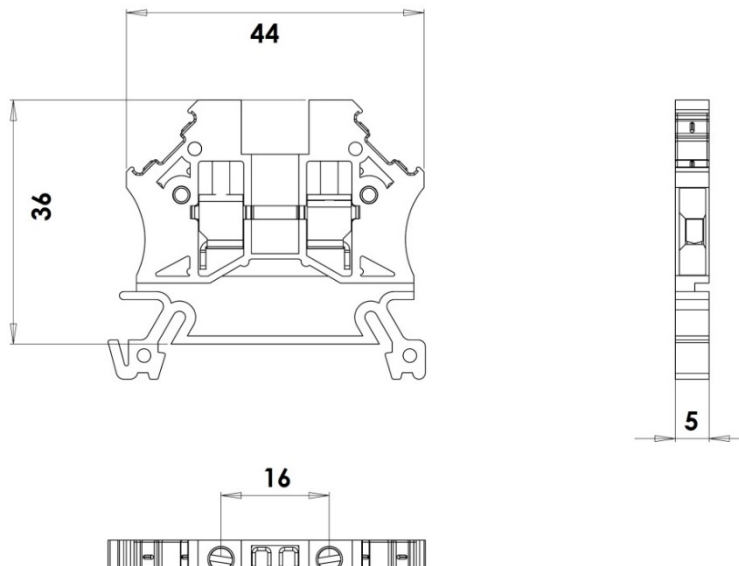


AWG 24-12 – 600V – 20A

SCCR 100kA

See: <https://iq.ulprospector.com/en/profile?e=167250>

TECHNICAL DRAWINGS





ACCESSORIES

Marking

| Item | Description |
|---------------------|--|
| 438MFC0512TB | Tags 5x12 for MI Series and 438MWK0512TBA (45tags x 20cards) |
| 438MFC0512ST | Strip -pitch 5 for:438MWK0512TBA and 438WLC0512TBA |

DIN RAIL system - Mounting and Installation material

| Item | Description |
|----------------|--|
| 43910 | Steel Omega rail 35/7,5mm - 2mt length |
| 43910/F | Slotted steel Omega rail 35/7,5mm - 2mt length |
| 43911 | Steel Omega rail 35/15mm - 2mt length |
| 43911/F | Slotted steel Omega rail 35/15mm - 2mt length |
| 43028 | Angled support bracket |
| 43442 | EURO STOP - End bracket width 9 |
| 43444 | EURO STOP - End bracket width 6 |
| 43447 | EURO STOP - Snap-on end bracket width 6 |
| 43448 | EURO STOP – Tag Carrier for TH35 or TH15 DinRail |
| 43449 | EURO STOP - End bracket cover profile carrier |
| 43449-C | EURO STOP - Cover profile - Length 100cm |

Additional items

| Item | Description |
|-----------------|---|
| 43010 | End plate |
| 43015 | Separator |
| 43035 | Cover for EURO 2.5 |
| 43525/02 | EURO J2,5 - Jumper bar 2 poles - pitch 5,1mm |
| 43525/03 | EURO J2,5 - Jumper bar 3 poles - pitch 5,1mm |
| 43525/24 | EURO J2,5 - Jumper bar 24 poles - pitch 5,1mm |
| 43515 | Ratchet Cutting Tool for 43525/..Jumpers - orange - pitch 5,1mm |
| 43926 R | Red test plug adapter |
| 43926 S | Black test plug adapter |