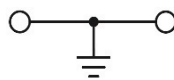




EURO QE 2.5

Article: **42453**



Earth Terminal Block – Yellowgreen
Spring/Screwless connection – 2 ,5-4mm² / 12AWG - Width 5 mm



GENERAL DATA

Series	EURO QE 2.5
Item	42453
Weight/Piece	8.8 g
Catalog	01
Customs tariff	85369095
Colour	Yellowgreen
Q.ty p.pck.	10
Q.ty p. box	-

TECHNICAL DATA / DIMENSIONS

Dimensions

Width mm	5
Length mm	53
Height mm	28.5
Mounting type (EN 60715)	Omega TH35

Technical data

Maximum load current	-
Insulating material	PA
Self-extinguishing degree acc. to UL94	V0
Rated surge voltage	-
Pollution degree	3
Surge voltage category	III
Insulating material group	I
Nominal Voltage	-
Nominal Current	-
Temperature index, insulating material – Elec. UL 746 B - RTI	130°C
Static insulating material lower permissible temperature	-60°C

Connection data

Conductor cross-section solid min/max	1 / 4 mm ²
Conductor cross-section stranded min/max	1 / 4 mm ²



AWG min/max	24-12AWG
Max conductor cross-section stranded with ferrule with plastic sleeve DIN 46228/4	2.5 mm ² / L=12 mm
Max conductor cross-section stranded with ferrule without plastic sleeve DIN 46228/1	4 mm ² / L=12 mm
Stripping length	max 12 mm
Spring	Stainless steel
Current bar	Tin Plated copper alloy
Earth foot	Tin Plated copper alloy

APPROVALS



40018053

REG B798

EN60947-7-22.5mm²**EN60068-2-11**

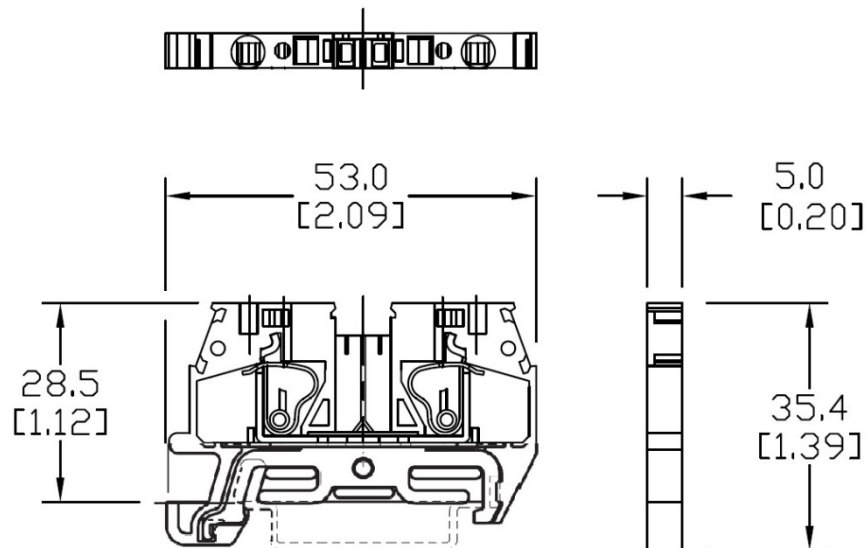
Salt mist test for 96 hours

ENEL DV25**UL1059**

E203985

AWG 24-12

TECHNICAL DRAWINGS





ACCESSORIES

Marking

Item	Description
42090	Blank large marking tags for EURO Q - 4,8x8,4
42091	Blank large vertical marking tags for EURO Q - 12x4,5
438MFC0512TB	Tags 5x12 for MI x 438MWK0512TBA adapter(1box=900pcs)
42092	Adapter Vertical Support -5x12(1box=250pcs)
438MIQ0512TBA	Adapter x Tb MI EQ -Weid-WDU-ZDU/Klemsan-5x12(1box=250pcs)

DIN RAIL system - Mounting and Installation material

Item	Description
43910	Steel Omega rail 35/7,5mm - 2mt length
43910/F	Slotted steel Omega rail 35/7,5mm - 2mt length
43911	Steel Omega rail 35/15mm - 2mt length
43911/F	Slotted steel Omega rail 35/15mm - 2mt length
43028	Angled support bracket
43442	EURO STOP - End bracket width 9
43444	EURO STOP - End bracket width 6
43447	EURO STOP - Snap-on end bracket width 6

Additional items

Item	Description
42011	End plate