



# EURO Q 2,5



Article: **42416**



Feedthrough Terminal Block – Gray  
 Spring/Screwless connection – 2 ,5-4mm<sup>2</sup> / 12AWG - Width 5 mm



## GENERAL DATA

Series	<b>EURO Q2.5</b>
Item	<b>42416</b>
Weight/Piece	<b>6 g</b>
Catalog	<b>01</b>
Customs tariff	<b>85369095</b>
Colour	<b>Gray</b>
Q.ty p.pck.	<b>50</b>
Q.ty p. box	<b>1400</b>

## TECHNICAL DATA / DIMENSIONS

### Dimensions

Width mm	5
Length mm	53
Height mm	28.5
Mounting type (EN 60715)	Omega TH35

### Technical data

Maximum load current	32A
Insulating material	PA
Self-extinguishing degree acc. to UL94	V0
Rated surge voltage	6kV
Pollution degree	3
Surge voltage category	III
Insulating material group	I
Nominal Voltage	630V
Nominal Current	24A
Temperature index, insulating material – Elec. UL 746 B - RTI	130°C
Static insulating material lower permissible temperature	-60°C

### Connection data

Conductor cross-section solid min/max	1 / 4 mm <sup>2</sup>
Conductor cross-section stranded min/max	1 / 4 mm <sup>2</sup>



AWG min/max	24-12AWG
Max conductor cross-section stranded with ferrule with plastic sleeve DIN 46228/4	2.5 mm <sup>2</sup> / L=12 mm
Max conductor cross-section stranded with ferrule without plastic sleeve DIN 46228/1	4 mm <sup>2</sup> / L=12 mm
Stripping length	max 12 mm
Spring	Stainless steel
Current bar	Tin Plated copper alloy

## APPROVALS



40016498

REG B573

**EN60947-7-1**2.5mm<sup>2</sup> – 630V – 24A**EN60068-2-11**

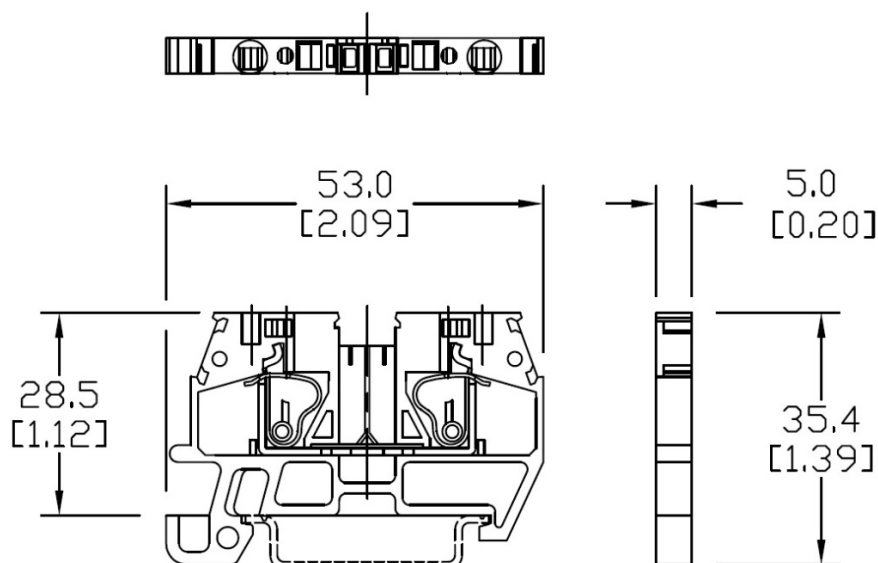
Salt mist test for 96 hours

**ENEL DV25****UL1059**

E203985

AWG 24-12 – 600V – 20A

## TECHNICAL DRAWINGS





## ACCESSORIES

### Marking

Item	Description
<b>42090</b>	Blank large marking tags for EURO Q - 4,8x8,4
<b>42091</b>	Blank large vertical marking tags for EURO Q - 12x4,5
<b>438MFC0512TB</b>	Tags 5x12 for MI x 438MWK0512TBA adapter(1box=900pcs)
<b>42092</b>	Adapter Vertical Support -5x12(1box=250pcs)
<b>438MIQ0512TBA</b>	Adapter x Tb MI EQ -Weid-WDU-ZDU/Klemsan-5x12(1box=250pcs)

### DIN RAIL system - Mounting and Installation material

Item	Description
<b>43910</b>	Steel Omega rail 35/7,5mm - 2mt length
<b>43910/F</b>	Slotted steel Omega rail 35/7,5mm - 2mt length
<b>43911</b>	Steel Omega rail 35/15mm - 2mt length
<b>43911/F</b>	Slotted steel Omega rail 35/15mm - 2mt length
<b>43028</b>	Angled support bracket
<b>43442</b>	EURO STOP - End bracket width 9
<b>43444</b>	EURO STOP - End bracket width 6
<b>43447</b>	EURO STOP - Snap-on end bracket width 6

### Additional items

Item	Description
<b>42011</b>	End plate
<b>43525/02</b>	EURO J2,5 - Jumper bar 2 poles - pitch 5,1mm
<b>43525/03</b>	EURO J2,5 - Jumper bar 3 poles - pitch 5,1mm
<b>43525/24</b>	EURO J2,5 - Jumper bar 24 poles - pitch 5,1mm
<b>43515</b>	Ratchet Cutting Tool for 10134273/..Jumpers - orange - pitch 5,1mm