



EURO Q 6



Article: **42411**

Feed through Terminal Block – Gray
Spring/Screwless connection – 6-10mm² / 8AWG - Width 8 mm



GENERAL DATA

Series	EURO Q
Item	42411
Weight/Piece	15.9 g
Catalog	01
Customs tariff	85369095
Colour	Gray
Q.ty p.pck.	50
Q.ty p. box	1000

TECHNICAL DATA / DIMENSIONS

Dimensions

Width mm	8
Length mm	63
Height mm	38.5
Mounting type (EN 60715)	Omega TH35

Technical data

Maximum load current	57A
Insulating material	PA
Self-extinguishing degree acc. to UL94	V0
Rated surge voltage	6kV
Pollution degree	3
Surge voltage category	III
Insulating material group	I
Nominal Voltage	630V
Nominal Current	45A
Temperature index, insulating material – Elec. UL 746 B - RTI	130°C
Static insulating material lower permissible temperature	-60°C

Connection data

Conductor cross-section solid min/max	1.5 / 10 mm ²
Conductor cross-section stranded min/max	1.5 / 10 mm ²



AWG min/max	22-8AWG
Max conductor cross-section stranded with ferrule with plastic sleeve DIN 46228/4	6 mm ² / L=18 mm
Max conductor cross-section stranded with ferrule without plastic sleeve DIN 46228/1	10 mm ² / L=18 mm
Stripping length	max 18 mm
Spring	Stainless steel
Current bar	Tin Plated copper alloy

APPROVALS

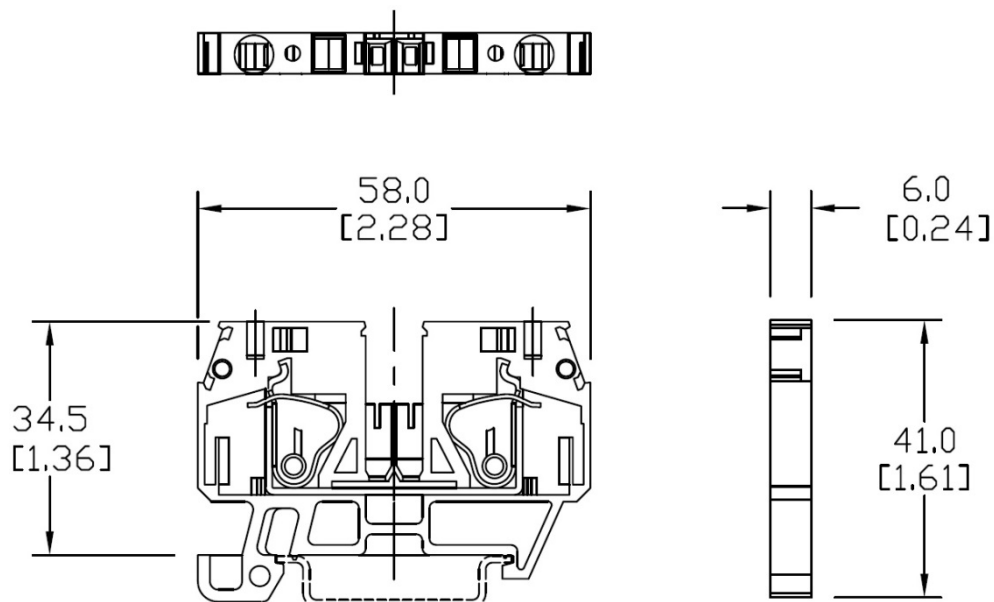
EN60947-7-1 6mm² – 630V – 57A
EN60068-2-11 Salt mist test for 96 hours

ENEL DV25

UL1059
E203985

AWG 22-8 – 600V – 45A

TECHNICAL DRAWINGS





ACCESSORIES

Marking

Item	Description
42090	Blank large marking tags for EURO Q - 4,8x8,4
42091	Blank large vertical marking tags for EURO Q - 12x4,5
438MFC0812TB	Tags 8x12 for MI x 438MWK0512TBA adapter(1box=540pcs)
42092	Adapter Vertical Support -5x12(1box=250pcs)
438MIQ0512TBA	Adapter x Tb MI EQ -Weid-WDU-ZDU/Klemsan-5x12(1box=250pcs)

DIN RAIL system - Mounting and Installation material

Item	Description
43910	Steel Omega rail 35/7,5mm - 2mt length
43910/F	Slotted steel Omega rail 35/7,5mm - 2mt length
43911	Steel Omega rail 35/15mm - 2mt length
43911/F	Slotted steel Omega rail 35/15mm - 2mt length
43028	Angled support bracket
43442	EURO STOP - End bracket width 9
43444	EURO STOP - End bracket width 6
43447	EURO STOP - Snap-on end bracket width 6

Additional items

Item	Description
42013	End plate
43530/02	Jumper bar 2 poles,pitch 8,1mm -EURO J6 -green
43530/03	Jumper bar 3 poles,pitch 8,1mm -EURO J6 -green
43530/12	Jumper bar 12 poles,pitch 8,1mm -EURO J6 -green
43518	Ratchet Cutting Tool for 43530/12 - EURO J6 -green